



Spring Celebration

March 8th-10th, 2024

Harriman, TN

New this year—VRH Classes

Pattern Book

Western Riding

Level 1/Green- Level 1 Pattern 2

All Others- Regular Pattern 2

Ranch Riding

Pattern 1

Reining

Pattern 8

Working Cow Horse

Pattern 1

VRH

Round 1

VRH Ranch Riding – Pattern 2 – Page 257

VRH Reining – Pattern 2 – Page 260

We do not charge for scratches – enter everything and scratch as needed.

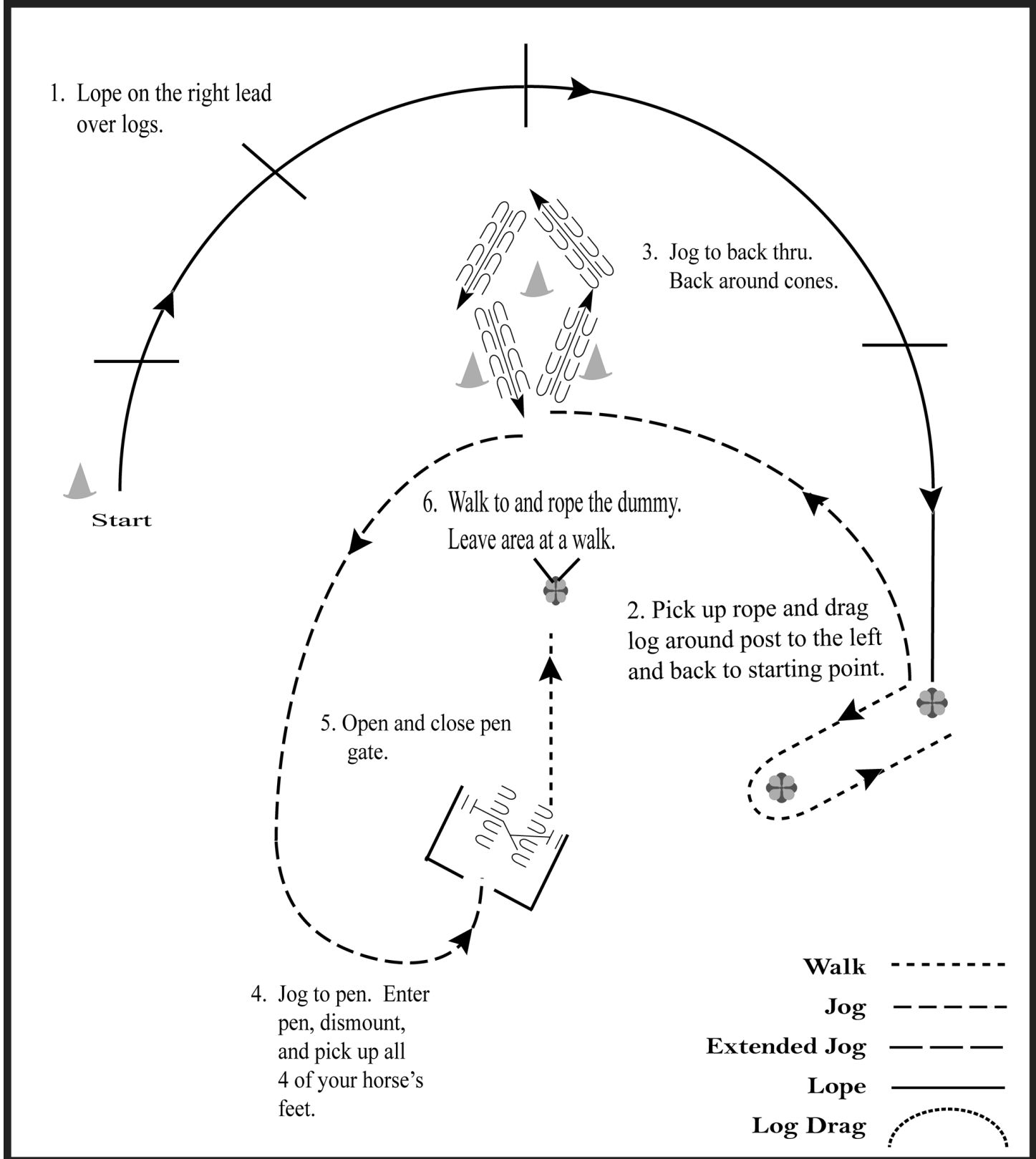
2024 TQHA Spring Celebration

VRH Ranch Trail

Show Date: March 8-10, 2024

www.HorseShowPatterns.com

www.HorseShowPatterns.com



[RT/1]

Pattern Provided by:

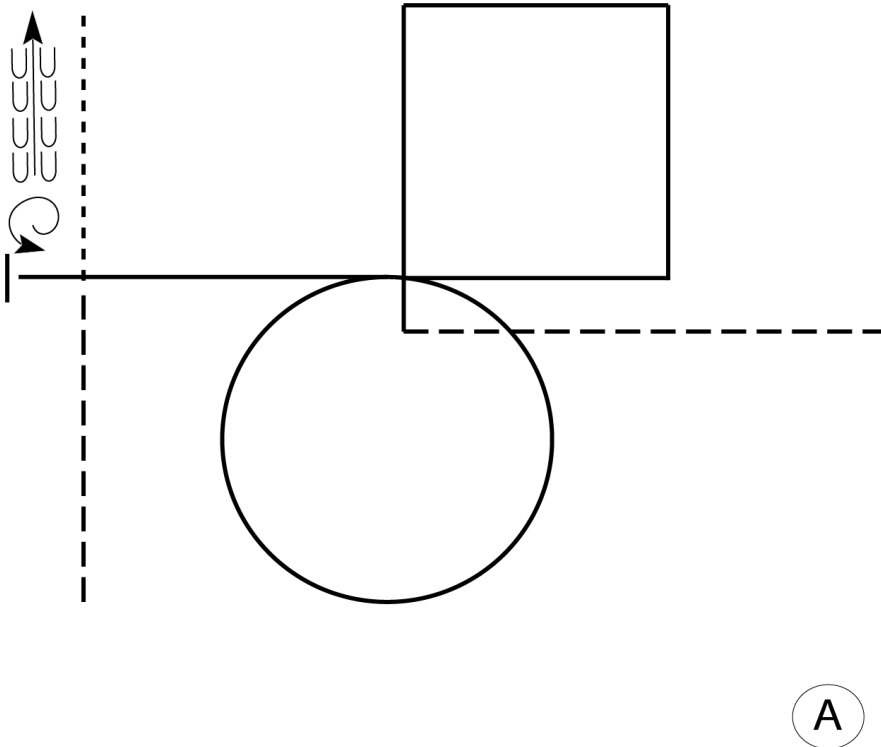
2024 TQHA Spring Celebration

All Horsemanship (except W/J)

Show Date: March 8-10, 2024

w w w . H o r s e S h o w P a t t e r n s . c o m

w w w . H o r s e S h o w P a t t e r n s . c o m



Be ready at A.

1. Perform a jog from A and a square corner toward center of pattern.
2. Make a square corner right at center.
3. Lope a right lead square.
4. Change leads at center and lope a left lead circle.
5. Close the circle and continue loping on the left lead in a straight line.
6. Stop and perform a 1 1/4 turn to the left.
7. Back 5 steps.
8. Walk until you cross your line.
9. Exit arena at a jog.

Walk	-----
Jog	- - - - -
Extended Jog	— — — —
Lope	—————
Lead Change	——— / \
Back	← — — — — ← — — — —
Marker	Ⓚ

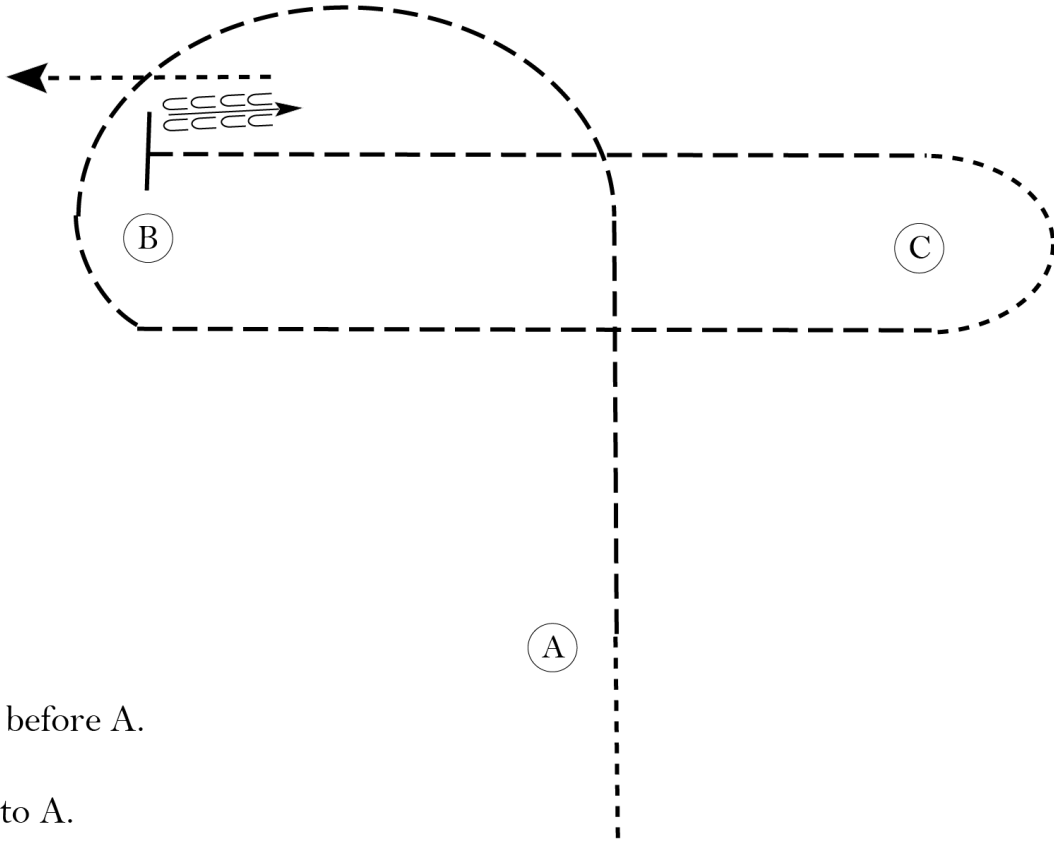
[WH/2-104]

Pattern Provided by:

2024 TQHA Spring Celebration

Walk/Trot Equitation

Show Date: March 8-10, 2024



Be ready before A.

1. Walk to A.
2. Trot on the right diagonal to center of pattern and in a half circle around B.
3. Continue to trot on the right diagonal from B to C.
4. Walk around C.
5. Trot on the left diagonal to B.
6. Halt at B and back approximately one horse length. Walk straight away.

Follow the instructions of your ring steward.

Walk
Trot	- - - - -
Extended Trot	- - - - -
Canter	—————
Leg Yield	
Lead Change	///
Back	←←←
Marker	(B)
Sidepass	←←←
Hand Gallop	—————

[HSE/WT-60]

Pattern Provided by:

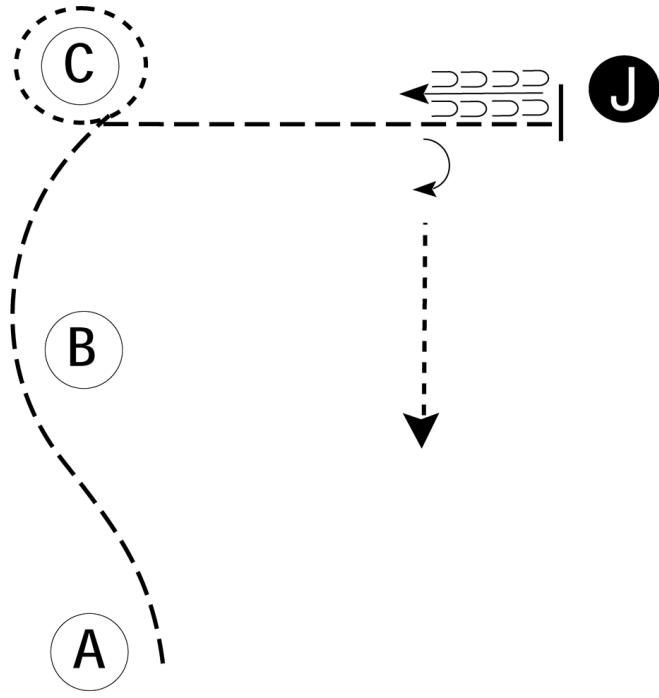
2024 TQHA Spring Celebration

All Showmanship

Show Date: March 8-10, 2024

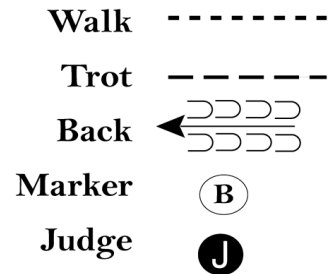
w w w . H o r s e S h o w P a t t e r n s . c o m

w w w . H o r s e S h o w P a t t e r n s . c o m



Be ready at A.

1. When acknowledged, trot from A, around B and to C.
2. Walk a tight circle around C.
3. Trot to judge.
4. Stop and set up for inspection.
5. When dismissed, back approximately one horse length.
6. Perform a 90 degree turn and walk away from judge.



Follow the directions of your ring steward.

[S/2-58]

Pattern Provided by:

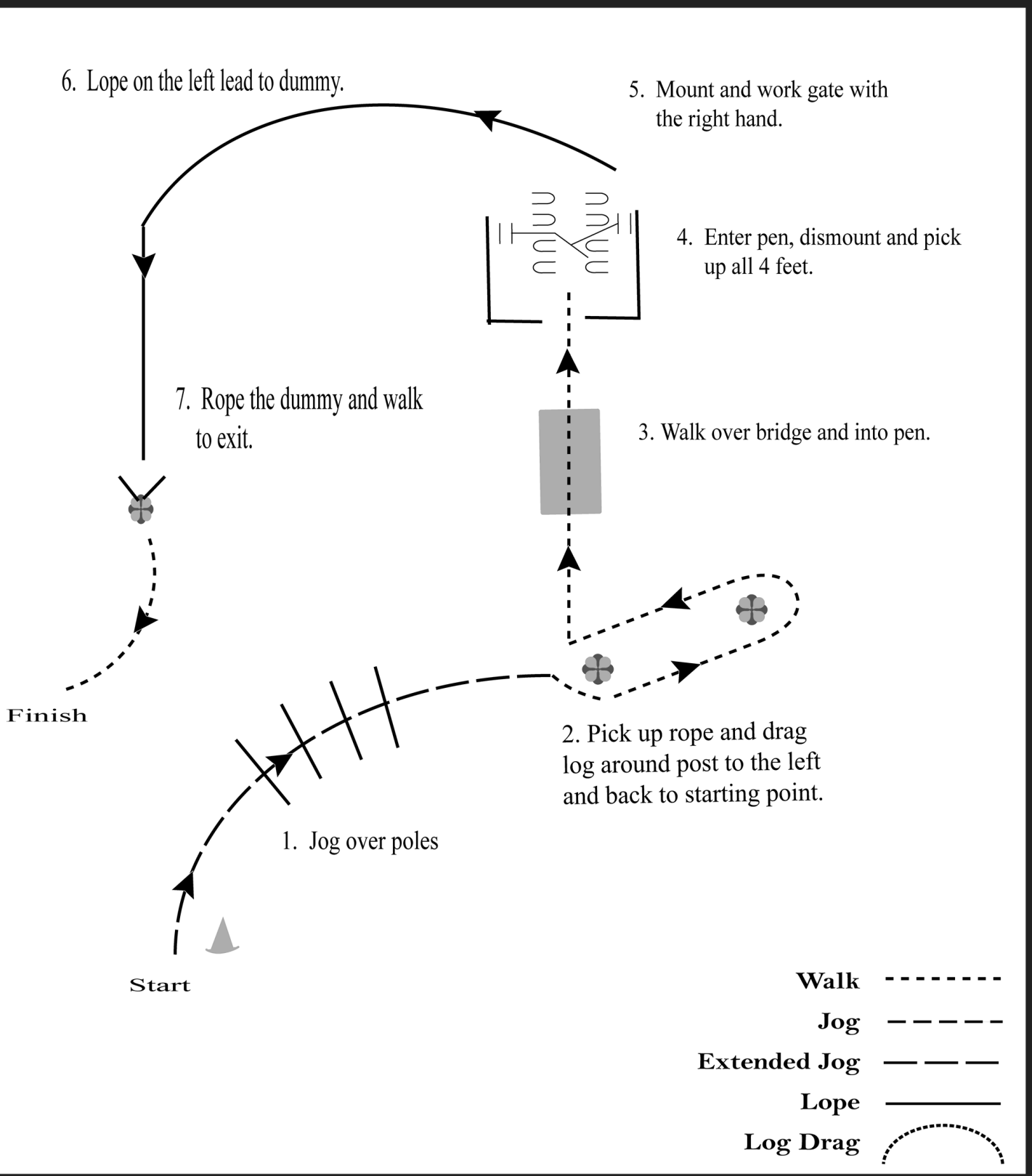
2024 TQHA Spring Celebration

Ranch Trail

Show Date: March 8-10, 2024

www.HorseShowPatterns.com

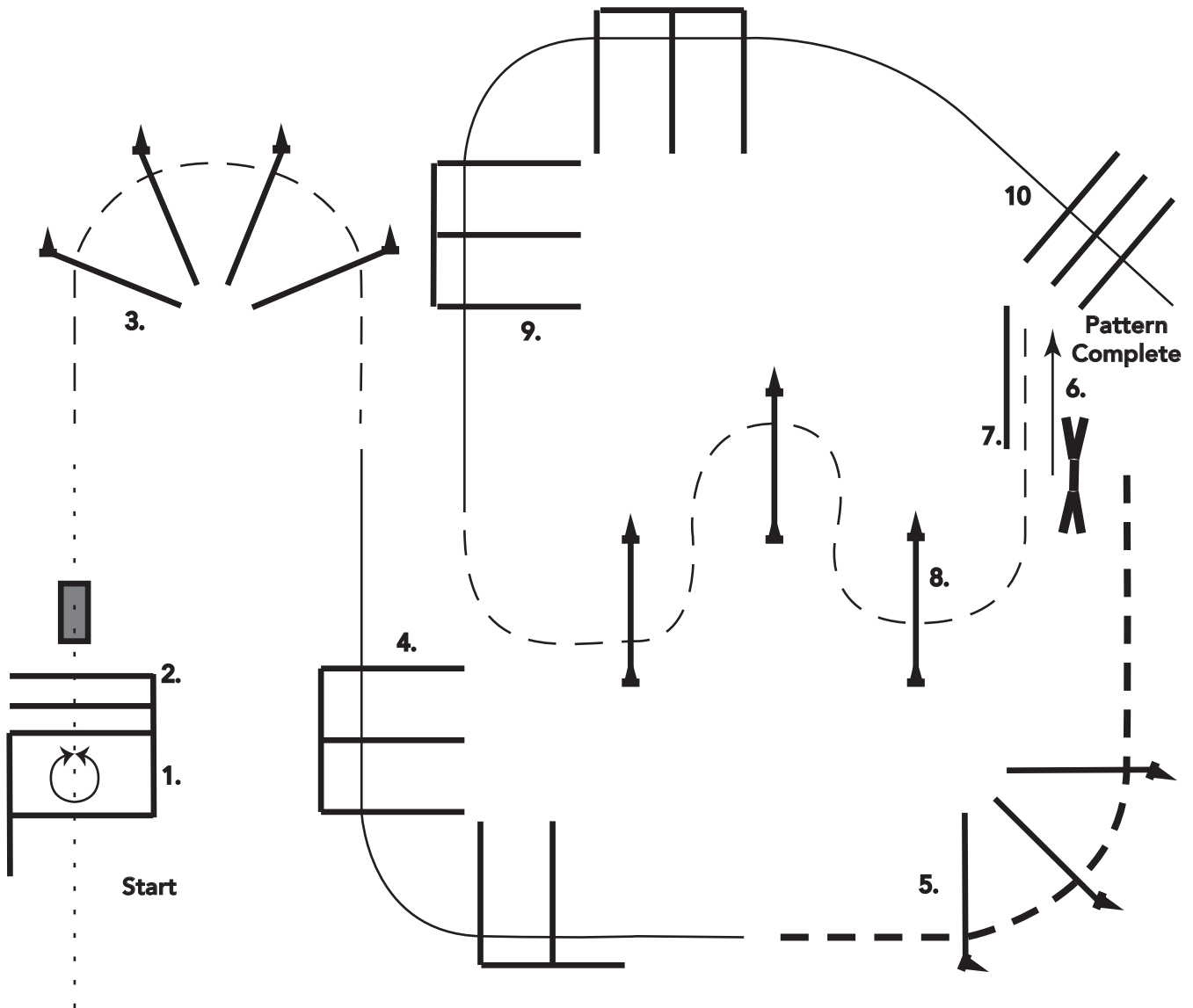
www.HorseShowPatterns.com



Pattern Provided by:

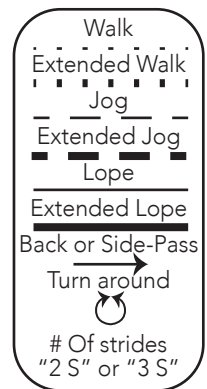
[RT/6]

Trail Except W/J

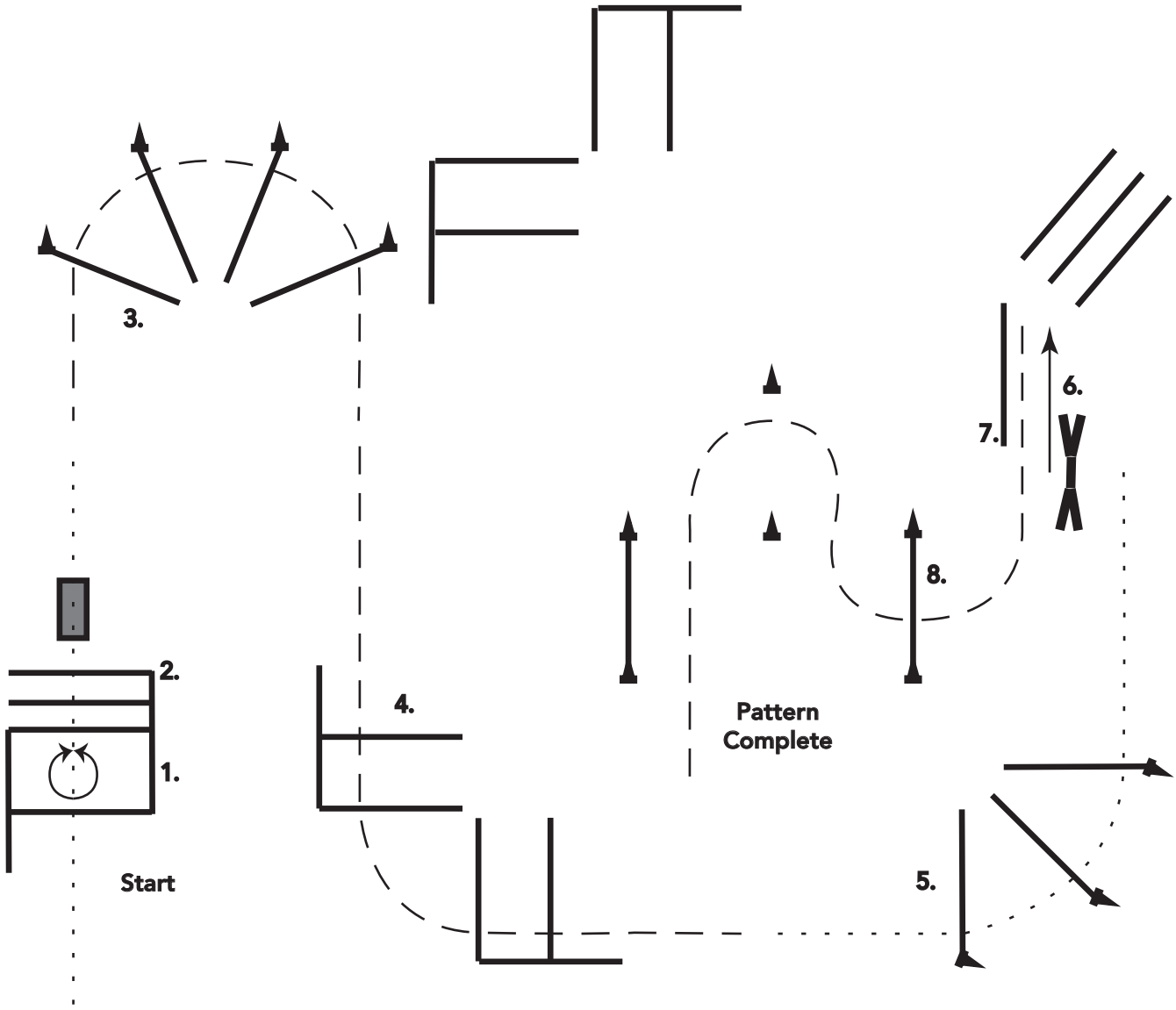


1. Walk over pole, stop
(360* Turn either way)
2. Walk over pole, & bridge
3. Jog over poles
4. Lope left lead over poles
5. Extended jog over poles
6. Work & close gate left hand

7. Back Into chute
 8. Jog serpentine
 9. Lope right lead over poles
 10. Jog over poles
- Pattern Complete**



W/J Trail



- 1. Walk over pole, stop
(360* Turn either way)
- 2. Walk over pole, & bridge
- 3. Jog over poles
- 4. Jog over poles

- 5. Walk over poles
 - 6. Work & close gate left hand
 - 7. Back Into chute
 - 8. Jog serpentine
- Pattern Complete**

Walk

Extended Walk

Jog

Extended Jog

Lope

Extended Lope

Back or Side-Pass

Turn around

Of strides
"2 S" or "3 S"